

SP7500SA



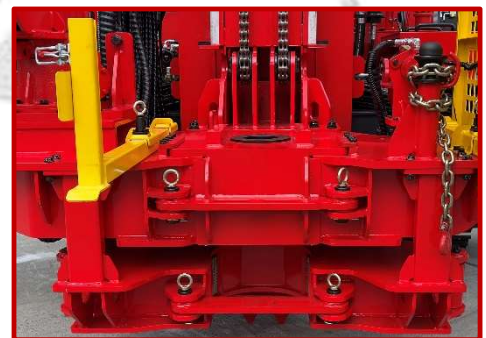
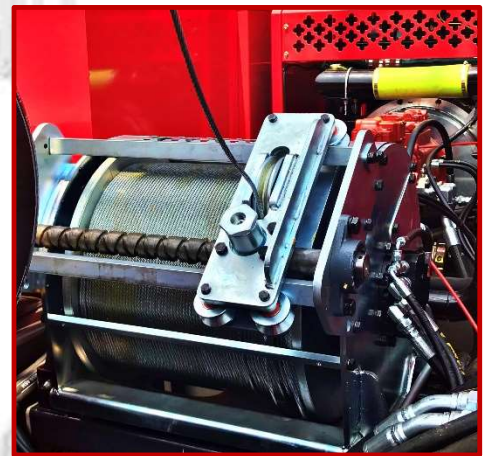
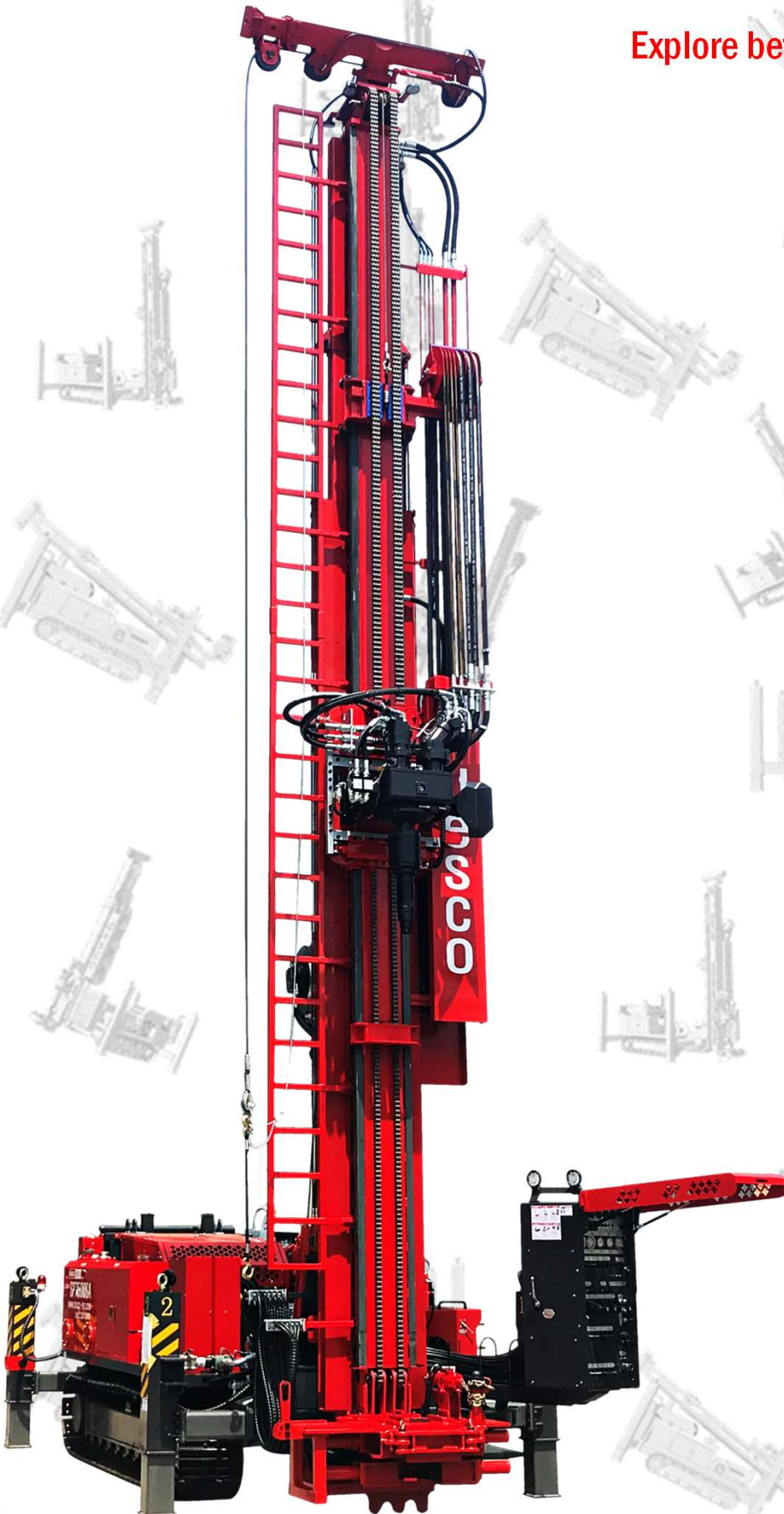
EXPLORATION / CORE DRILLING

SP7500SA



SP7500SA

Explore better solutions
brought to you by DESCO



EXPLORATION / CORE DRILLING

TECHNICAL SPECIFICATIONS

		SP3500SA	SP4500SA	SP5500SA	SP6500SA	SP7000SA	SP7500SA	SP8500SA	SP9500SA	
DIMENSIONS										
Length	M	5.9	7.8	8.6	11.6	11.6	11.6	12.5	15.5	
Width	M	1.8	1.9	2.2	2.2	2.3	2.3	2.3	2.8	
Height	M	2.4	2.5	2.5	2.7	2.9	2.9	3.2	3.8	
Weight	Ton	6.0	9.5	12.5	15.5	16.5	17.5	22.0	35.0	
ENGINE										
		Hyundai / Doosan Engine								
Power rating at 1800rpm	hp	100	100	170	170	270	270	400	540	
Fuel capacity	L	120	120	200	300	300	300	400	500	
TOP DRIVE										
		Two hydraulic motors or Four hydraulic motors								
Rotation RPM (1 st / 2 nd)	rpm	0~120 / 0~1200							0~110 / 0~1000	
Rotation Torque (1 st & 2 nd)	kg.M	75 / 200	84 / 250	94 / 300	105 / 400	140 / 500	190 / 500	225 / 750	380 / 1500	
FEED SYSTEM										
		Variable Speed Hydraulic Cylinder								
Travel Length	M	3.8	4	4.5	7	7.5	7.5	7.5	10.5	
Pull-back Force	Ton	9	11	13	16	25	30	44	60	
Pull-down Force	Ton	4	5	6	7	12	12	20	25	
Feed Rate (Variable)	M/min	30 ~ 45								
HYDRAULIC SYSTEM										
		3 or 4 pumps open loop system								
Model		K3V63DP, K3V112DP, K3V140DP, K3V180DP, K3V200DP, K3V250DP, HSF30D								
Flow Rate 1 st & 2 nd	LPM	95 / 95		168 / 168		210 / 210		300 / 300		
Flow Rate 3 rd & 4 th	LPM	60		45 / 45		120		95 / 95		
Operating Pressure	Bar	280								
Hyd. Oil Tank	L	120	150	300	300	300	300	400	500	
WORKING TABLE & CLAMP										
Diameter	Inch	8	8	10	10	10	10	10	10	
Drill Pipe Breakout		6ton								
DRILL ROD & CASING										
	M	3.0	3.0	3.0	6.0	6.0	6.0	6.0	9.0	
TRAMMING										
		LG4500	Solar55			Solar75		Solar130	Solar220	
Tramming Speed	km/h	2.5 ~ 4.0								
Gradeability		25°								
Track Shoes Width	mm	450	400	400	400	450	450	500	600	
WINCH										
	Ton	2.5	3.5	5.0	5.0	10.0	10.0	15.0	20.0	
WIRELINE										
	M	200	500	1000	1000	1800	1800	2500	3500	
ELECTRICAL SYSTEM										
		24V								
Lights		Working table, Mast & Control panel								
CONTROL PANEL										
		All control gauges are grouped at the operator's station within sight of the borehole								
Panel Rotation		15°								
HYD. JACKS & RIGGERS										
		Four jacks & riggers / Self-loading system								
MUD PUMP										
		Triplex piston pump / Hyd. cylinder operated duplex & double acting								
Model		FMC, AW1122BCD, DSMP300, DSMP600								
Capacity	LPM	150	200	300	300	300	300	300	500	
OPTIONAL LIST										
Rod Handler (Max.)		Dia. 73mm ~ 120mm								
RiHS (Rod rack & handler)		Rod Rack Integrated Handling System								
Mud Pump		FMC, AW1122BCD, DSMP300, DSMP600								
SPT Device										
Line Oiler		Driven by Hyd. cylinder / 100cc per swift								
Genset		23kW / 100V~220V								
Inverter		7.0kW / 100V~220V								
Remote Control for Tramming		Hetronics								
Preheating System		For engine & hydraulic system								
Safety Cage										

Desco Inc. (HQ/Manufacturer)

HEAD OFFICE

91-5, Nanosandan 2-ro, Nam-myeon, Jangseong-gun, Jeollanam-do, Korea

TEL: 82.62.952.4564 / FAX: 82.62.953.1593 / EMAIL: desco@desco-inc.com

OVERSEAS SALES & MARKETING Div.

2607 Jidong, Lottecastle, 76, Soongin-dong, Jongno-gu, Seoul, Korea.

TEL: 82.2.3670.6400 / FAX: 82.2.3670.6 / www.desco-inc.com