

# desco drill rig

Desco Inc.(HQ/Manufacturer)  
HEAD OFFICE: 1240-1, Ok-Dong, Gwangsan, Gwangju, Korea  
TEL : 82.62.952.4564 / FAX : 82.62.953.1593

EXPORT DIVISION  
2607 jidong, Lottecastle, 76, Soongin-Dong, Jongno-Gu, Seoul, Korea  
TEL : 82-2-3670 6400 / FAX : 82-2-3670 6399  
E-mail : desco@desco-inc.com



## DS8500HDD

Horizontal Directional Drill Rig



# DS8500HDD (Strong & Powerful)

Crawler carriage with mounted control cabin.

The horizontal directional drill rig DS8500HDD is a simple and technically developed device.

The hydraulic power rotary head are smoothly driven by hyd. cylinder feed-system

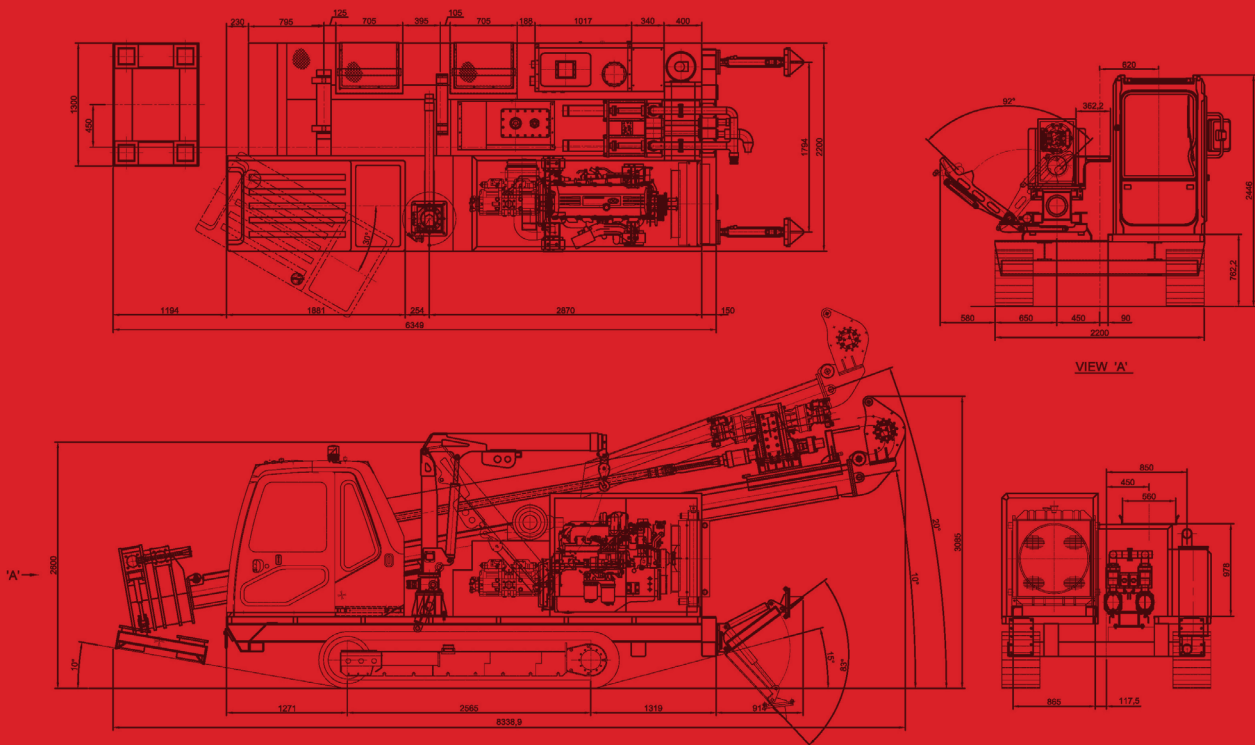
Due to pull back power of 40 t & a torque can be increased, directional drilling with length of up to 800M with dia. 600mm

Rod crane "on board"

Desco's mud pump "on board" that is driven by the hydraulic system of the machine

All operations are controlled in control cabin

- \* DS8500HDD for directional drilling
- \* Pullback force 40 ton
- \* Weight 15ton
- \* Mud pump "on board"
- \* Rod crane "on board"
- \* All instrument & control levers are concentrated.
- \* Installed major hyd. Parts so easy to find spare parts in the market
- \* Options - rod handling device, winch, pre-heating system, pre-heating system, air conditioner and so on



The design & dimension can be changed as drill rig's specification

If you want the kind of drill rigs,  
DESCO INC. is at your solution and service.



**desco** drill rig

## TECHNICAL SPECIFICATION

### Top head rotation

Rotation torque  
Rotation speed  
Rotation speed & torque can be controlled

### Two speed motors

2,000kg.M (low) / 1,000kg.M (high)  
0 ~ 80 rpm (low) / 0 ~ 150 (high)

### Feed System

Feed system type  
Feed hydraulic cylinder  
Feed stroke  
Pull-back force  
Down force

Variable Speed Hydraulic Cylinder  
190mm\*140mm\*2750mm  
5.5M (Drill Pipe - Max. 4.5M)  
50ton  
20ton

### Dimension & Weight

Net weight  
Width  
Length  
Height

12.0ton  
2.3M  
8.5M  
2.7M

### Engine

Engine model  
Engine power  
Cooling system  
Fuel tank  
Electrical system

Hyundai D6AZ  
270HP@1800rpm  
Water  
300 Liters  
24V DC

### Hydraulic system

General  
Pump model  
System hyd. oil flow  
Hydraulic tank  
Operating pressure

Single variable displacement pump, pressure & flow controlled  
K3V140\*2+63\*2 (4 pumps)  
550 LPM  
400 Liters  
280 Bar

### Cabin type

Cabin Type, Heating system

### Double clamp

Max. diameter  
Clamping cylinder  
Breaking cylinder

6"  
20ton  
10ton

### Outrigger

Two rear hyd. Jacks

### Crawler base

Doosan model (Steel)

### Mud pump

Hydraulic cylinder operated duplex piston pump  
Capacity  
Max. pressure

800 LPM  
70 bar

### FIXING PLATE

Width

1,800mm



# If you want the kind of drill rigs, DESCO INC. is at your solution and service.



## STANDARD / OPTIONAL

	STANDARD	OPTIONAL	OPTIONAL REQUEST
<b>Drill head</b>			
Drill head	DSDH-1000		
Drill head - sliding	0		
<b>Feed system</b>			
Mast slide (dump up and down)	0		
Control panel	0		
<b>Hydraulic system</b>			
Auxiliary hydraulic ports		0	
<b>Hydraulic breakout table</b>			
Max. diameter	max. 6"	over 6"	
Double clamp	0		
<b>Crawler base</b>			
Steel track	0		
Steel track with rubber pad		0	
<b>Main hoist</b>			
Main winch		0	
<b>Mud pump</b>			
Capacity	300LPM		
Cabin type	0		
Crane		0	
Air conditioner		0	
Preheating system		0	
Wireless remote travel		0	

**Notice** As your optional list, engine, hyd. system, crawler and so on can be changed and design of drill rigs can be changed.

Specifications are general and subject to change without notice. Due to selected options, delivered equipment may not necessarily match that shown.

